

# ZANUSSI

MIXED FUEL  
COOKER

ZCG 611

INSTRUCTION BOOKLET

Please read this instruction booklet before using the appliance

GB

# Important Safety Information



You **MUST** read these warnings carefully before installing or using the hob. If you need assistance, contact our Customer Care Department on **08705 727727**

## Installation

- This cooker must be installed by qualified personnel, according to the manufacturer's instructions and to the relevant British Standards.
- This cooker is heavy. Take care when moving it.
- Any gas installation must be carried out by a registered CORGI installer.
- Remove all packaging before using the cooker.
- Ensure that the gas and electrical supply complies with the type stated on the rating plate, located near the gas supply pipe.
- Do not attempt to modify the cooker in any way.

## Child Safety

- This cooker is designed to be operated by adults. Do not allow children to play near or with the cooker.
- The cooker gets hot when it is in use. Children should be kept away until it has cooled.
- Children can also injure themselves by pulling pans or pots off the cooker.

## During Use

- This cooker is intended for domestic cooking only. It is not designed for commercial or industrial purposes.
- When in use a gas cooker will produce heat and moisture in the room in which it has been installed. Ensure there is a continuous air supply, keeping air vents in good condition or installing a cooker hood with a venting hose.
- When using the cooker for a long period time, the ventilation should be improved, by opening a window or increasing the extractor speed.
- Do not use this cooker if it is in contact with water. Do not operate the cooker with wet hands.
- Ensure the control knobs are in the 'OFF' position when not in use.
- Do not store flammable materials such as oven gloves, tea towels etc. in the drawer.
- When using other electrical appliances, ensure the cable does not come into contact with the hot surfaces of the cooker.
- Unstable or misshapen pans should not be used on the hob burners as unstable pans can cause an accident by tipping or spillage.
- Never leave the cooker unattended when cooking with oil and fats.
- This cooker should be kept clean at all times. A build-up of fats or foodstuffs could result in a fire.
- Never use plastic dishes in the oven or on the hob burners. Never line any part of the oven with aluminium foil.

- Always ensure that the oven vent which is located at the centre back of the hob is left unobstructed to ensure ventilation of the oven cavity.
- Perishable food, plastic items and aerosols may be affected by heat and should not be stored above the cooker.
- Appliances fitted with a lid: the lid is designed as a dust cover when closed, and as a splash-back when open. Do not use for any other purpose. After using the cooker, the lid **MUST NOT** be closed until the hob and oven are completely cold. Do not close the lid on a lit burner as this will cause damage to the burners and the lid. If the flame extinguishes, the gas will continue to flow leading to a build up of gas in the area of the cooker.

## Service

- This cooker should only be repaired or serviced by an authorised Service Engineer and only genuine approved spare parts should be used.

## Environmental Information

- After installation, please dispose of the packaging with due regard to safety and the environment.
- When disposing of an old appliance, make it unusable, by cutting off the cable.

**Keep this instruction book for future reference and ensure it is passed on to any new owner.**

## Guide to Use the instructions

The following symbols will be found in the text to guide you throughout the Instructions:



Safety Instructions



Step by step instructions for an operation



Hints and Tips



Environmental Information



This appliance is manufactured according to the following EEC directives:  
73/23 EEC - 90/683 EEC - 93/68 EEC -  
89/336 EEC - 90/396 EEC,  
current edition.

# Contents

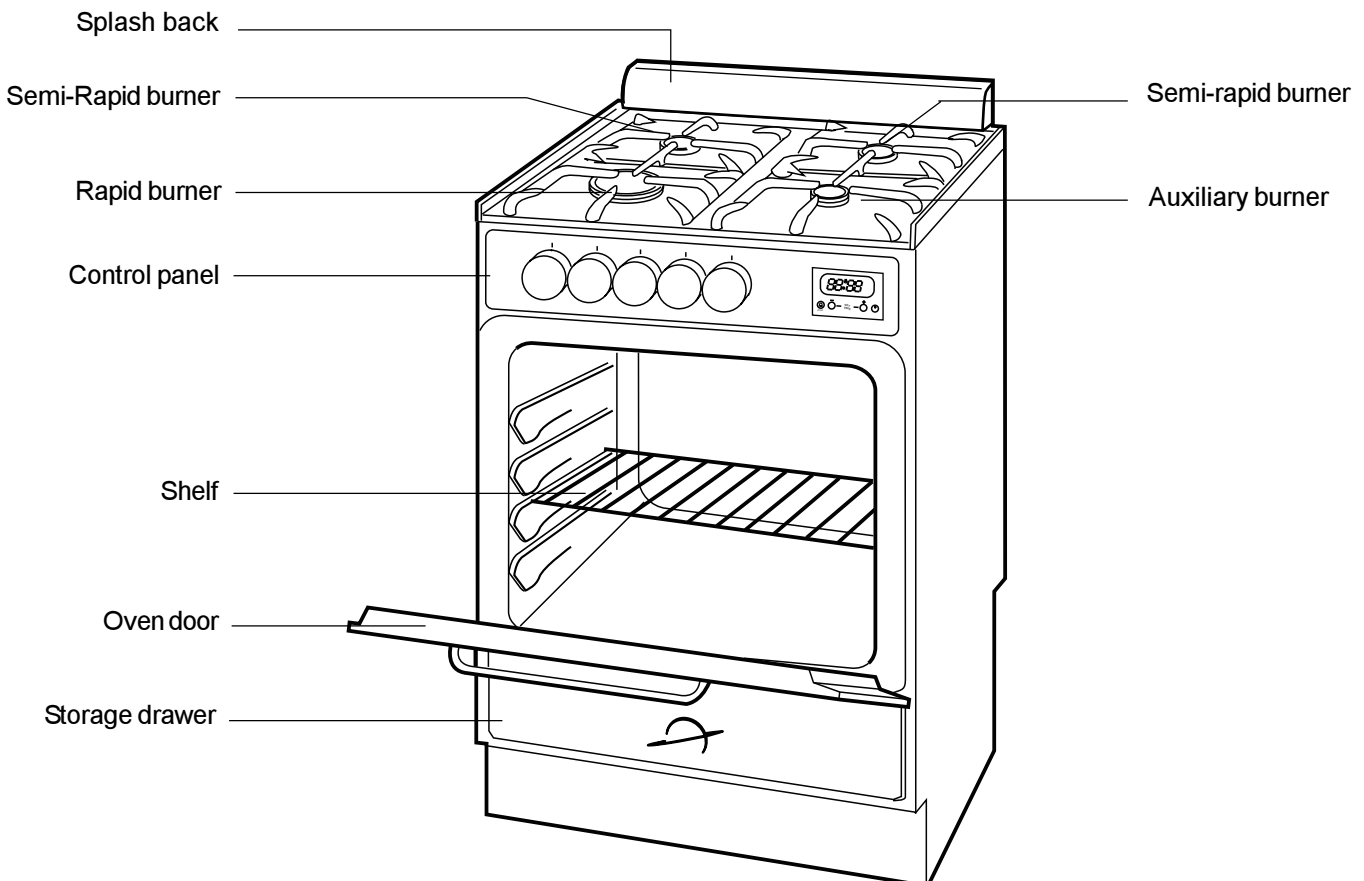
## For the User

|                                    |    |
|------------------------------------|----|
| Important Safety Information       | 2  |
| Description of the Cooker          | 3  |
| Control Panel                      | 4  |
| Operation                          | 5  |
| 24 Hour Clock                      | 6  |
| Before the First Use of the Cooker | 9  |
| Using the Oven                     | 9  |
| Using the Gas oven                 | 10 |
| Gas Oven Cooking Chart             | 11 |
| Grilling                           | 12 |
| Maintenance and Cleaning           | 13 |
| Cleaning the Oven                  | 13 |
| Something Not Working              | 15 |
| Service and Spare Parts            | 15 |
| Customer Care                      | 15 |
| Guarantee Conditions               | 16 |

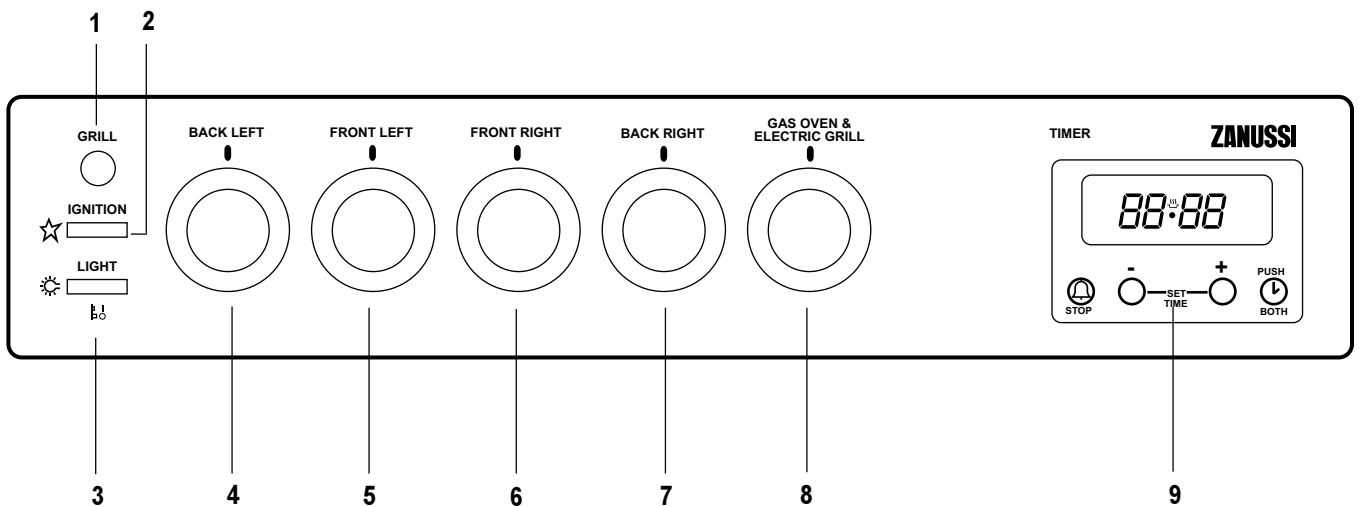
## For the Installer

|                                    |    |
|------------------------------------|----|
| Important Safety Requirements      | 17 |
| Instructions for the Installer     | 17 |
| Installation                       | 18 |
| Electrical connections             | 20 |
| Commissioning                      | 21 |
| Conversion from Natural to LPG Gas | 22 |

# Description of the Cooker

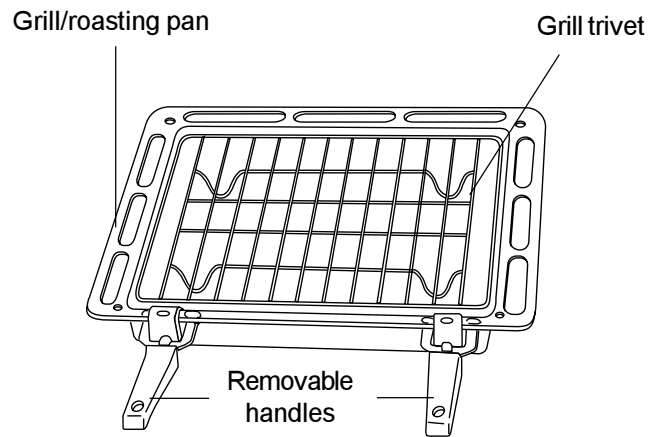


# Control Panel

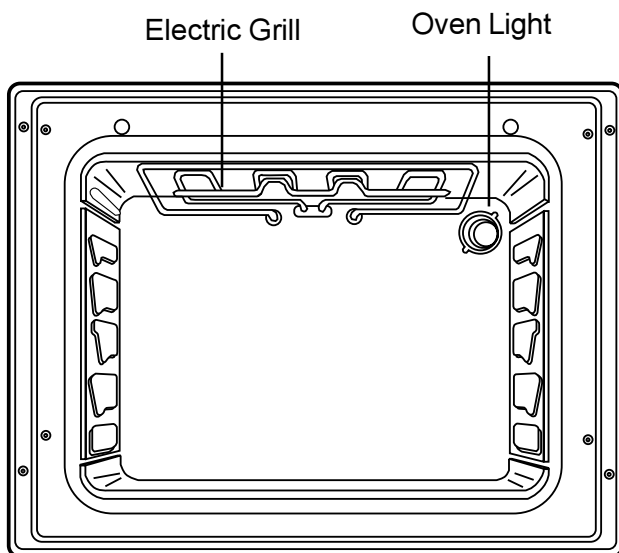


1. Grill function pilot light
2. Electric ignition push button
3. Oven Light push button
4. Back left burner control knob (semi-rapid)
5. Front left burner control knob (rapid)
6. Front right burner control knob (auxiliary)
7. Back right burner control knob (semi-rapid)
8. Oven function control knob
9. 24 hour clock

## Accessories



## The Oven Cavity

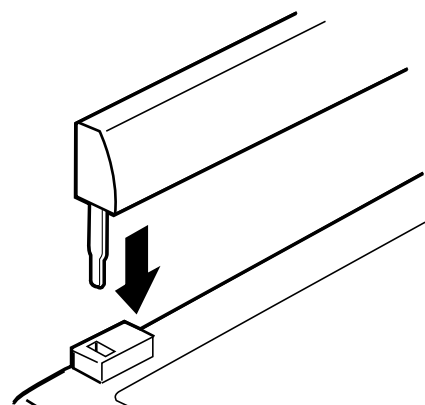


FO 2653

## Fitting the Splash back


A stainless steel splash back is supplied with the appliance. This is meant to be fitted on the rear edge of the cooker's hob. The splash back package is in the oven cavity.

1. Unpack the splash back and dispose of the packaging with due regard to safety and the environment.
2. Slide the two bayonets of the splash back into the relevant supports on the rear edge of the cooker's hob.




# Operation

## Hob burners

 To light a burner:

- Push the electric ignition button which is marked with a little spark (☆).
- At the same time push in and turn the relevant control knob anticlockwise to maximum position.
- Then adjust the flame as required.

If the burner does not ignite, turn the control knob to zero, and try again.

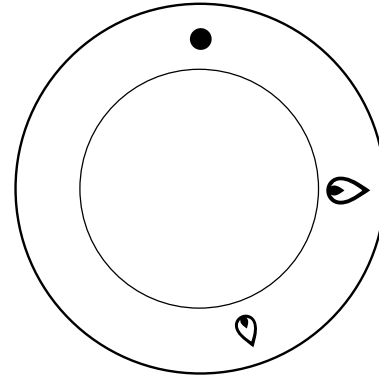
 When switching on the mains, after installation or a power cut, it is quite normal for the spark generator to be activated automatically.

To ensure maximum burner efficiency, you should only use pots and pans with a flat bottom fitting the size of the burner used (see table).

| Burner              | minimum diameter | maximum diameter |
|---------------------|------------------|------------------|
| Large (rapid)       | 180 mm.          | 260 mm.          |
| Medium (semi-rapid) | 120 mm.          | 220 mm.          |
| Small (Auxiliary)   | 80 mm.           | 160 mm.          |



*If you use a saucepan which is smaller than the recommended size, the flame will spread beyond the bottom of the pan, causing the handle to overheat.*



As soon as a liquid starts boiling, turn down the flame so that it will barely keep the liquid simmering.




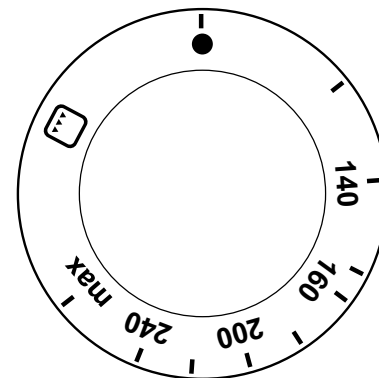
*Take care when frying food in hot oil or fat, as the overheated splashes could easily ignite.*

If the control knobs become difficult to turn, please contact your local Service Force Centre.


## Gas oven and Electric grill

### Oven Function Control Knob

- Oven switched off
- - **max** Range of temperature regulation for gas oven
-  Grill - The heat comes only from the top element



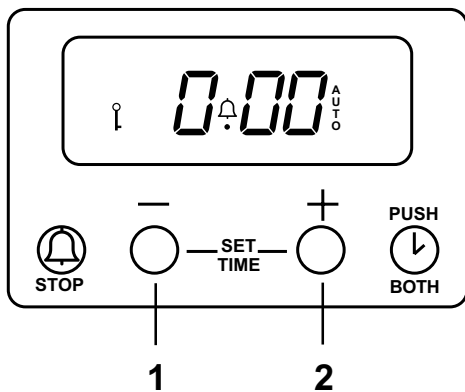
### Grill function pilot light

The grill function pilot light will come on when the oven function control knob is turned to .

### Oven light push button

This button will turn the oven light on.

# 24 Hour Clock



- 1. DECREASE CONTROL (-)
- 2. INCREASE CONTROL (+)
  
- MINUTE MINDER SYMBOL (🔔)
  
- PUSH BOTH CLOCK SETTING SYMBOL (🕒)
  
- CHILD SAFETY SYMBOL (🔒)

## Setting the time of day

When the power supply is first switched on, or after a power failure, **0.00** and **AUTO** will flash alternatively in the display.

### To set the correct time of day:

1. Press button “+” and “-” together (See Fig. 1).
2. Release buttons, then press button “+”: **12.00** will show in the display (See Fig. 2).
3. **Within 5 seconds** press and hold either button “+” to increase or button “-” to decrease the time until the correct time of day on the 24 hour clock is reached.

### To reset the correct time of day:

1. Press button “+” and “-” together. Then press and hold either button “+” to increase or button “-” to decrease the time until the correct time of day on the 24 hour clock is reached.

**NOTE:** The increase and decrease control buttons operate slowly at first and then more rapidly. They should be pressed separately.

## Things to note

1. The time of day must be set before the oven will operate. There will be a few seconds delay before the oven switches on.

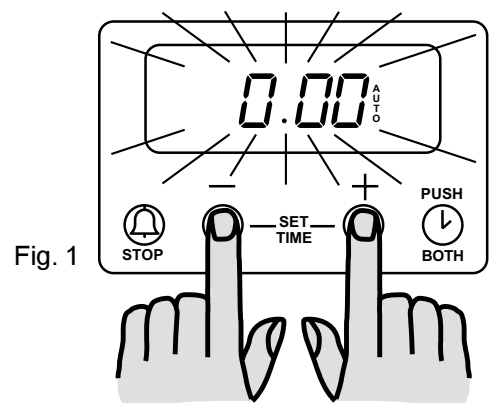


Fig. 1

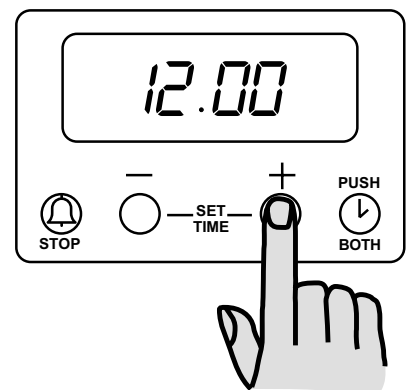


Fig. 2

## Setting the minute minder

The minute minder alarm will sound at the end of a timed period up to 23 hours and 59 minutes, but THE OVEN WILL REMAIN ON, if it is in use.

### To set the minute minder:

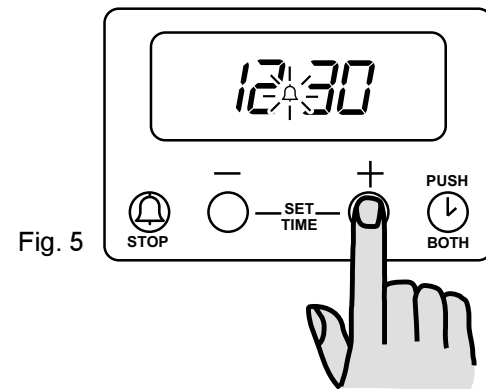
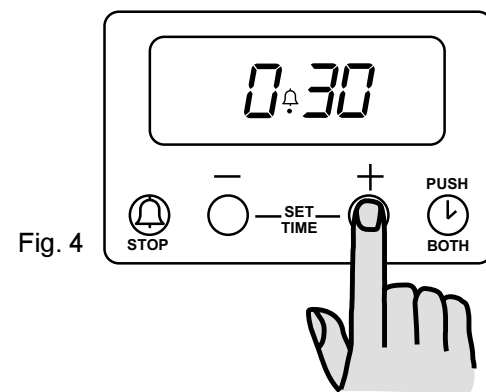
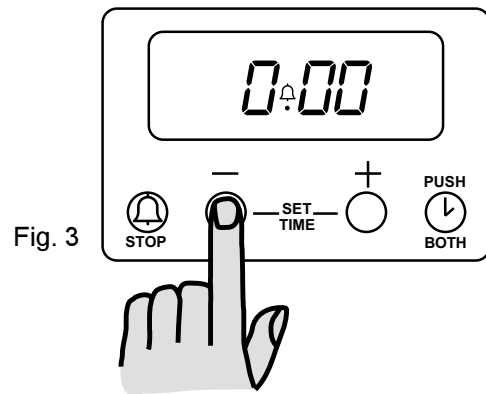
1. Press button “**-**”: the display will read **0.00** and the minute minder symbol (🔔) will come on in the display (See Fig. 3).
2. Release button “**-**”, then press and hold button “**+**”. The display will count up in one minute intervals until the interval to be timed is reached, e.g. 30 minutes (See Fig. 4). The minute minder will begin to count down once set and the display will revert to the time of day.
3. At the end of the timed period, an acoustic alarm will be heard and the minute minder symbol (🔔) will flash in the display (See fig. 5).  
To switch off the acoustic alarm, press any button: the minute minder symbol (🔔) will go out.

### To reset the minute minder:

1. Press button “**-**”, then proceed as described above.

### To cancel the minute minder:

1. Press and release button “**-**”. Then press and hold button “**-**”: the display will count down in one minute intervals to **0.00**.
2. Release button “**-**”. After a few seconds the display will revert to the time of day and the minute minder symbol (🔔) will go out.



## Child Safety Mode (only in models with fully electric oven)

To avoid children switching on the oven, it is possible to lock the oven controls. To lock the oven controls, the oven must be switched off.

### A. To enter the Safety mode:

1. Press buttons “+” and “-” at the same time and keep them pressed until "ON" appears on the display (see Fig. 6).
2. Release the buttons, then press button “+”: "OF" and the key symbol (🔑) will show in the display (see Fig. 7). Release the button: after a few seconds the display will revert to the time of day (see Fig. 8). The oven is now locked (only in models with electric oven).

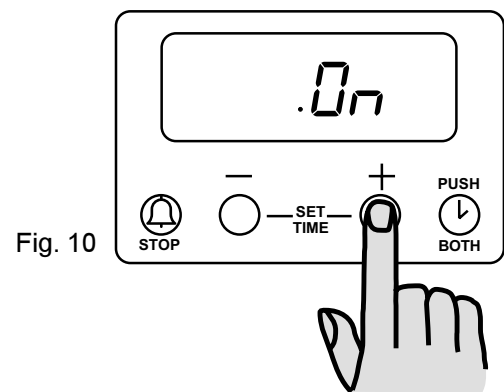
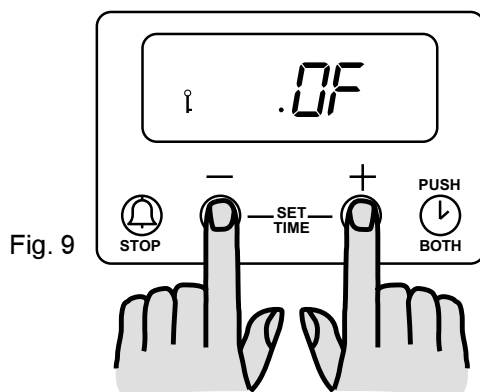
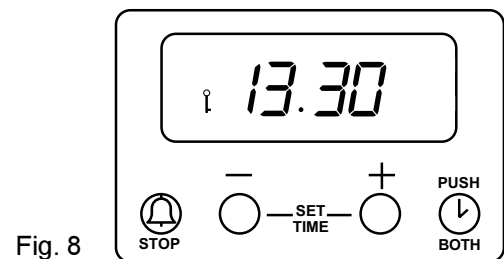
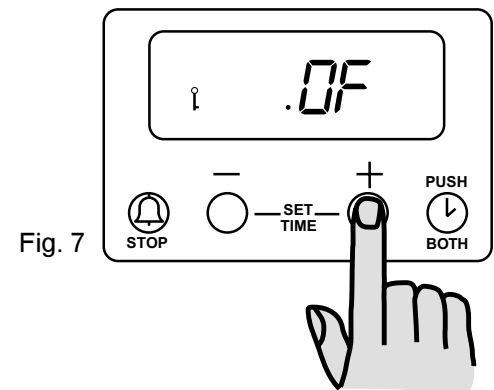
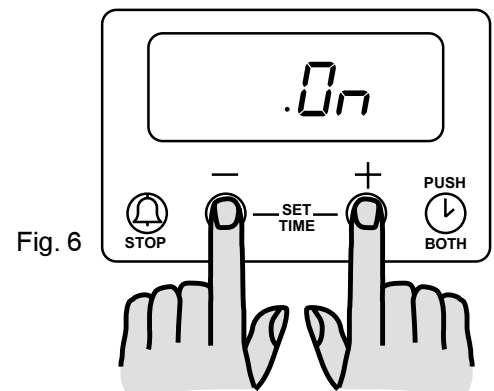
### B. To exit from the Safety mode:

1. Press buttons “+” and “-” at the same time and keep them pressed until "OF" appears on the display (see Fig. 9).
2. Release the buttons, then press button “+”: the key symbol (🔑) will go out and "ON" will show on the display (see Fig. 10). Release the button: after a few seconds the display will revert to the time of day. The oven can now be operated.

**IMPORTANT:** if you enter the Safety mode accidentally, please follow the instructions given in Step “B” (“To exit from the Safety mode”).


## Night dimming function

Between 22:00 (10pm) and 6:00 (6am) the figures and symbols on the display will dim.







# Before the First Use of the Cooker

 Remove **all packaging**, both inside and outside the cooker, before using it.


Before first use, the oven should be heated without food. During this time, an unpleasant odour may be emitted. This is quite normal.


1. Set the time of day with the "24 Hour Clock".
2. Ignite the gas oven burner and set the oven function control knob to "max".
3. Open a window for ventilation.
4. Allow the oven to run empty for approximately 45 minutes.

This procedure should be repeated with the grill  function for approximately 5-10 minutes.

 Do not clean the oven while it is still warm.

## Using the Oven

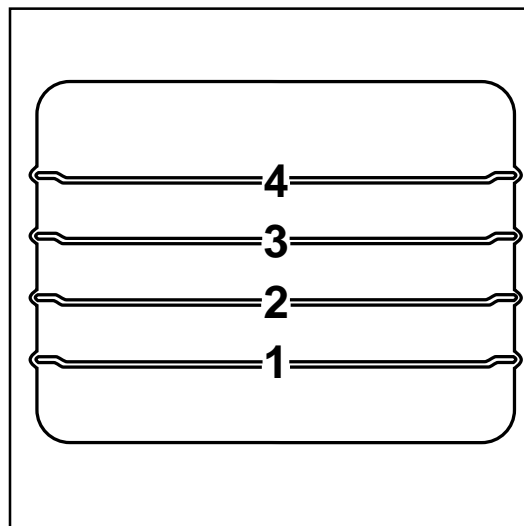
 Always cook with the oven door closed.  
**Stand clear when opening the drop down oven door. Do not allow it to fall open - support the door using the door handle, until it is fully open.**

 The oven has four shelf levels, and is supplied with two shelves.

The shelf positions are counted from the bottom of the oven as shown in the diagram.

It is important that these shelves are correctly positioned.

**Do not place cookware directly on the oven base.**



## Hints and Tips

### Condensation and steam

When food is heated it produces steam in the same way as a boiling kettle. The oven vents allow some of this steam to escape. However, **always stand back from the oven when opening the oven door** to allow any build up of steam or heat to release.

If the steam comes into contact with a cool surface on the outside of the oven, e.g. a trim, it will condense and produce water droplets. This is quite normal and is not a fault with the oven.

To prevent discolouration, regularly wipe away condensation and also soilage from surfaces.


### Cookware

- Use any oven proof cookware which will withstand temperatures of 250°C.
- Baking trays, oven dishes, etc. should not be placed directly against the grid covering the fan at the back of the oven, or placed on the oven base.

- Do not use baking trays larger than 30 cm x 35 cm (12 in x 14 in) as they will restrict the circulation of heat and may affect performance.

### Storage Drawer

The storage drawer is located underneath the oven cavity.

 During cooking the storage drawer may become hot if the oven is on high for a long period of time, therefore flammable materials such as oven gloves, tea towels, plastic aprons etc. should not be stored in the drawer.

Oven accessories such as baking sheets, will also become hot, therefore care should be taken when removing these items from the drawer whilst the oven is in use or still hot.

## The effects of dishes on cooking results

Dishes and tins vary in their thickness, conductivity, colour, etc. which affects the way they transmit heat to the food inside them.

- A** Aluminium, earthenware, oven glassware and bright shiny utensils reduce cooking and base browning.
- B** Enamelled cast iron, anodized aluminium, aluminium with non-stick interior and coloured exterior and dark, heavy utensils increase cooking and base browning.

# Using the Gas oven

## Oven safety device

The cooker features a thermocouple; if for any reason the flame should extinguish, the device will stop the gas flow.

## Before using your oven



Switch the oven to "**max**" and leave it to run empty for about 45 minutes to remove any unpleasant smell.

During cooking, the door should be opened as little as possible to avoid heat loss, and excessive fuel consumption.



To ignite the oven gas burner:

1. Open the oven door.
2. Push the electric ignition button which is marked with a little spark (☆).
3. At the same time press the oven control knob and turn it anti-clockwise until the maximum temperature ("**max**") is reached.
4. Firmly press the oven control knob for approximately **5 seconds**, until the safety valve automatically keeps the oven burner lit.
5. Release the control knob and then gently close the oven door. To adjust the temperature, turn the knob to the required setting after a few minutes.



**If the oven burner accidentally goes out, turn the oven knob to "●" and wait at least 1 minute before trying to light the burner again.**

# Gas Oven Cooking Chart

This chart is intended as a guide only. It may be necessary to increase or decrease the temperature to suit your individual requirements. Only experience will enable you to determine the correct setting for your personal requirements.

| FOOD                  | TEMPERATURES<br>°C | SHELF<br>POSITION | COOKING<br>TIME              |
|-----------------------|--------------------|-------------------|------------------------------|
| <b>PUDDINGS</b>       |                    |                   |                              |
| Milk puddings         | 170                | 2                 | 1½ - 2 hours                 |
| Baked sponge pudding  | 210                | 2                 | 45-60 minutes                |
| Baked custard         | 190                | 2                 | 50-60 minutes                |
| <b>CAKES</b>          |                    |                   |                              |
| Rich Fruit Cake       | 170                | 3                 | 2¼ hours                     |
| Christmas Cake        | 170                | 3                 | 3½ - 4½ hours                |
| Victoria Sandwich     | 210                | 2 or 3            | 20-30 minutes                |
| Madeira Cake          | 210                | 2 or 3            | 1 hour                       |
| Small Cakes           | 225                | 3                 | 15-25 minutes                |
| Plate tart            | 240                | 2                 | 50 minutes                   |
| Fruit pie             | 240                | 2                 | 50 minutes                   |
| Mince pies            | 225                | 2 or 3            | 15-25 mins                   |
| Profiteroles          | 210                | 2                 | 25 minutes                   |
| <b>YEAST MIXTURES</b> |                    |                   |                              |
| Bread                 |                    |                   |                              |
| 1lb Loaves            | max                | 2 or 3            | 30-40 minutes                |
| Bread                 |                    |                   |                              |
| 2lb Loaves            | max                | 2 or 3            | 30-40 minutes                |
| Rolls and Buns        | max                | 2 or 3            | 10-20 minutes                |
| <b>ROASTING MEAT</b>  |                    |                   |                              |
| Beef                  | 225                | 2 or 3            | 20-30 minutes per lb / 1/2Kg |
| Lamb                  | 225                | 2 or 3            | 25-30 minutes per lb / 1/2Kg |
| Pork and veal         | 225                | 2 or 3            | 30-35 minutes per lb / 1/2Kg |
| Chicken               | 225                | 2 or 3            | 20 minutes per lb / 1/2Kg    |
| Turkey                | 210                | 2 or 3            | 15-25 minutes per lb / 1/2Kg |
| Duck and duckling     | 225                | 2 or 3            | 25 minutes per lb / 1/2Kg    |
| Stuffed poultry       | 225                | 2 or 3            | 25 minutes per lb / 1/2Kg    |


# Grilling



**Grilling must be carried out with the oven door closed. The grill pan handles must be removed from the pan.**



## How to Use the Grill

1. Turn the oven control function knob to .  
The grill pilot light will come on.
2. Adjust the grid and grill pan runner position to allow for different thicknesses of food. Position the food close to the element for faster cooking and further away for more gentle cooking.

Preheat the grill for a few minutes before sealing steaks or toasting. Adjust the shelf level as necessary, during cooking.

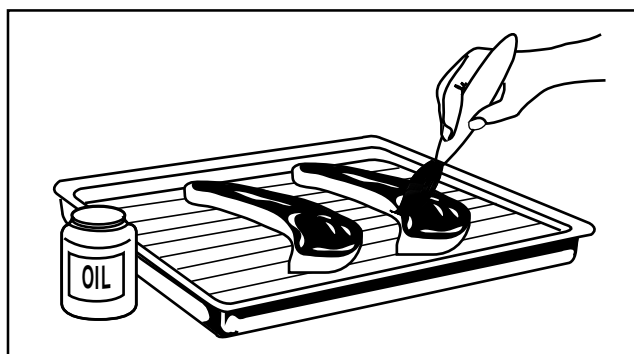
## Hints and Tips

- Most foods should be placed on the grid in the grill pan to allow maximum circulation of air to lift the food out of the fats and juices. Food such as fish, liver and kidneys may be placed directly on the grill pan, if preferred
- Food should be thoroughly dried before grilling to minimise splashing. Brush lean meats and fish lightly with a little oil or melted butter to keep them moist during cooking
- Accompaniments such as tomatoes and mushrooms may be placed underneath the grid when grilling meats
- When toasting bread, we suggest that the top runner position is used.
- The food should be turned over during cooking, as required.


## Cooking chart

Cooking time depends on the thickness of the meat and not on its weight.

| Type of food                   | Mins per side    |
|--------------------------------|------------------|
| Bacon rashers                  | 2 - 5            |
| Chicken joints                 | 15 - 20          |
| Gammon rashers                 | 5 - 8            |
| Lamb chops                     | 6 - 12           |
| Pork chops                     | 10 - 15          |
| Sausages (turning as required) | 10 - 12          |
| Steaks (average thickness)     | Rare 3 - 6       |
|                                | Medium 6 - 10    |
|                                | Well done 8 - 12 |
| Toast                          | 1 - 1½           |



# Maintenance and Cleaning

 Before any maintenance or cleaning can be carried out, you must **DISCONNECT** the cooker from the electricity supply.

## The Hob Top

The hob is best cleaned whilst it is still warm, as spillage can be removed more easily than if it is left to cool.

Regularly wipe over the hob top using a soft cloth well wrung out in warm water to which a little washing up liquid has been added. Avoid the use of the following:

- household detergent and bleaches;
- impregnated pads unsuitable for non-stick saucepans;
- steel wool pads;
- bath/sink stain removers.

Should the hob top become heavily soiled, it is recommended that a cleaning product such as Hob Brite or Bar Keepers Friend is used.

## The Pan Support

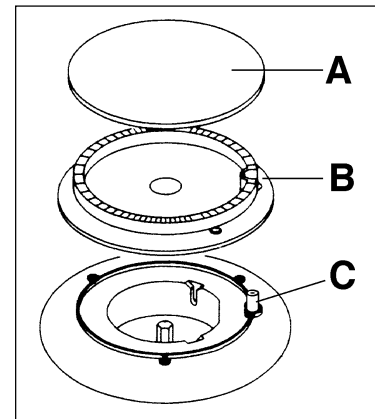
The pan support is dishwasher proof. If washing it by hand, take care when drying it as the enamelling process occasionally leaves rough edges. If necessary, remove stubborn stains using a paste cleaner.

## The Burners


The burner caps and crowns can be removed for cleaning. Wash the burners caps and crowns using hot soapy water, and remove marks with a mild paste cleaner. A well moistened soap impregnated steel wool pad can be used with caution, if the marks are particularly difficult to remove.

After cleaning, be sure to wipe dry with a soft cloth.

- A) Burner Cap
- B) Burner Crown
- C) Ignition Candle



# Cleaning the Oven

 The oven should be kept clean at all times. A build-up of fats or other foodstuffs could result in a fire, especially in the grill pan.


## Cleaning materials

Before using any cleaning materials on your oven, check that they are suitable and that their use is recommended by the manufacturer.

Cleaners that contain bleach should NOT be used as they may dull the surface finishes. Harsh abrasives should also be avoided.


## External cleaning

Regularly wipe over the control panel, oven door and door seal using a soft cloth well wrung out in warm water to which a little washing up liquid has been added.

 To prevent damaging or weakening the door glass panels avoid the use of the following:

- Household detergent and bleaches
- Impregnated pads unsuitable for non-stick saucepans
- Brillo/Ajax pads or steel wool pads
- Chemical oven pads or aerosols
- Rust removers
- Bath/Sink stain removers

Clean the outer and inner door glass using warm soapy water. Should the inner door glass become heavily soiled it is recommended that a cleaning product such as Hob Brite, or Bar Keepers Friend is used.

 **DO NOT** clean the oven door while the glass panels are warm. If this precaution is not observed the glass panel may shatter.

If the door glass panel becomes chipped or has deep scratches, the glass will be weakened and must be replaced to prevent the possibility of the panel shattering. Contact your local Service Force Centre who will be pleased to advise further.

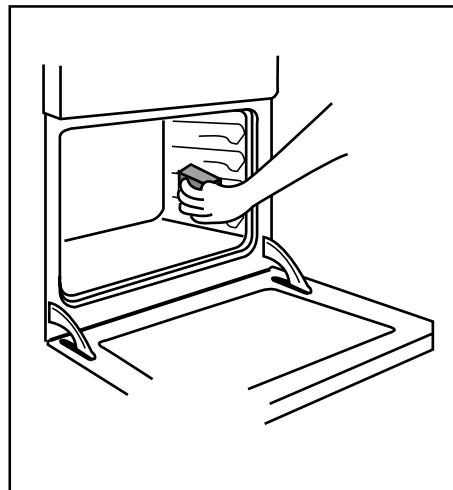
## Oven Cavity

The enamelled oven cavity is best cleaned whilst the oven is still warm.


Wipe the oven over with a soft cloth soaked in warm soapy water after each use. From time to time it will be necessary to do a more thorough cleaning, using a proprietary oven cleaner.

## Oven Shelves

To clean the oven shelves, soak in warm soapy water and remove stubborn marks with a well wetted soap impregnated pad. Rinse well and dry with a soft cloth.



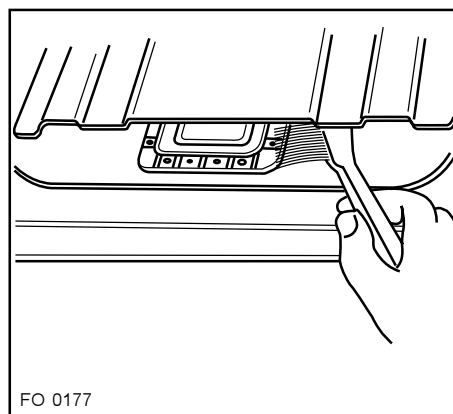
## Cleaning around the flame spreader

-  - Remove the small flap.
- Slide forward the remainder of the lid.
- Lift from the back.

When cleaning around the flame spreader, particles can fall into the drawer below. We recommend placing some paper over the contents of the drawer whilst cleaning. Please ensure the paper is removed after cleaning or it may ignite.

We advise using a stiff dry brush to remove stubborn grease deposits around the base of the unit (see Fig.). Remove any remaining surface fat with a sponge while the oven is still warm.


Place a brush or other suitable cleaning implement into the aperture and brush around the base of the unit with a suitable detergent.



 **UNDER NO CIRCUMSTANCES SHOULD THE FLAME SPREADER BE REMOVED.**

After cleaning, replace the lids correctly.


## Replacing the Oven Light

 **Disconnect the appliance.**

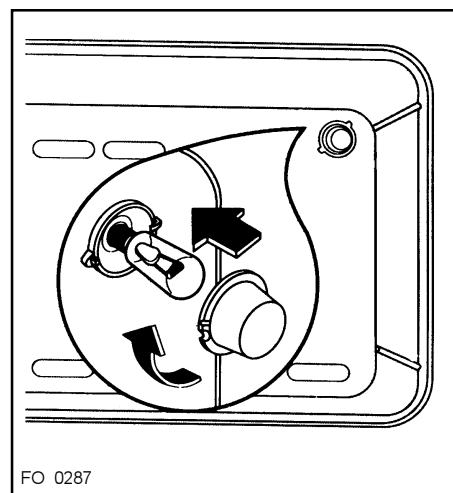
If the oven bulb needs replacing, it must comply with the following specifications:

- Electric power: 15W,
- Electric rate: 230-240 V (50 Hz),
- Resistant to temperatures of 300°C,
- Connection type: E14.

These bulbs are available from your local Service Force Centre.

 To replace the faulty bulb:

1. Ensure the oven is disconnected from the electrical supply.
2. Turn the glass cover anticlockwise.
3. Remove the faulty bulb and replace with the new one.
4. Refit the glass cover.
5. Reconnect to the electrical supply.



# Something Not Working

If the appliance is not working correctly, please carry out the following checks, before contacting your local Service Force Centre.

**IMPORTANT:** If you call out an engineer to a fault listed below, or to repair a fault caused by incorrect use or installation, a charge will be made even if the appliance is under guarantee.

| SYMPTOM  | SOLUTION   |
|--|--|
| <ul style="list-style-type: none"> <li>■ There is no spark when lighting the gas</li> </ul>                              | <ul style="list-style-type: none"> <li>◆ Check that the unit is plugged in and the electrical supply is switched on</li> <li>◆ Check that the RCCB has not tripped (if fitted)</li> <li>◆ Check the mains fuse has not blown</li> <li>◆ Check the burner cap and crown have been replaced correctly, e.g. after cleaning.</li> </ul> |
| <ul style="list-style-type: none"> <li>■ The gas ring burns unevenly</li> </ul>  | <ul style="list-style-type: none"> <li>◆ Check the main jet is not blocked and the burner crown is clear of food particles.</li> <li>◆ Check the burner cap and crown have been replaced correctly, e.g. after cleaning.</li> </ul>  |
| <ul style="list-style-type: none"> <li>■ The oven does not come on</li> </ul>  | <ul style="list-style-type: none"> <li>◆ Check a cooking function / temperature have been selected.</li> <li>◆ Check the socket switch or the switch from the mains supply to the oven is ON.</li> </ul>   |
| <ul style="list-style-type: none"> <li>■ The oven light does not come on</li> </ul>                                      | <ul style="list-style-type: none"> <li>◆ Check the light bulb, and replace it if necessary (see "Replacing the Oven light")</li> </ul>   |
| <ul style="list-style-type: none"> <li>■ The timer does not work</li> </ul>  | <ul style="list-style-type: none"> <li>◆ Check the instructions for the timer.</li> </ul>  |
| <ul style="list-style-type: none"> <li>■ It takes too long to finish the dishes, or they are cooked too fast.</li> </ul> | <ul style="list-style-type: none"> <li>◆ The temperature may need adjusting</li> </ul>   |
| <ul style="list-style-type: none"> <li>■ Steam and condensation settle on the food and the oven cavity.</li> </ul>       | <ul style="list-style-type: none"> <li>◆ Refer to the contents of this booklet, especially to the chapter "Using the Oven".</li> <li>◆ Leave dishes inside the oven no longer than 15-20 minutes after the cooking is completed.</li> </ul>  |

## Service and Spare Parts

### **SERVICE FORCE**

In the event of your appliance requiring service, or if you wish to purchase spare parts, please contact your local Service Force Centre by telephoning:

**0870 5 929929**

Your telephone call will be automatically routed to the Service Force Centre covering your post code area.

For the address of your local Service Force Centre and further information about Service Force, please visit the website at [www.serviceforce.co.uk](http://www.serviceforce.co.uk)

Before calling out an engineer, please ensure you have read the details under the heading "Something Not Working."

When you contact the Service Force Centre you will need to give the following details:

1. Your name, address and post code
2. Your telephone number
3. Clear and concise details of the fault
4. The model and serial number of the appliance (found on the rating plate)
5. The purchase date

**Please note that a valid purchase receipt or guarantee documentation is required for in-guarantee service calls.**

# Customer Care Department

For general enquiries concerning your Zanussi appliance or for further information on Zanussi products, please contact our Customer Care Department by letter or telephone at the address below or visit our website at [www.zanussi.co.uk](http://www.zanussi.co.uk)

## Customer Care Department

Zanussi  
55-77 High Street  
Slough  
Berkshire  
SL1 1DZ  
08705 727727 (\*)

\* calls to this number may be recorded for training purposes.

# Guarantee Conditions

## Zanussi guarantee conditions

We, Zanussi, undertake that if, within 12 months of the date of the purchase, this Zanussi appliance or any part thereof is proved to be defective by any reason only of faulty workmanship or materials, we will, at our option, repair or replace the same **FREE OF ANY CHARGE** for labour, materials or carriage on condition that:

- \* The appliance has been correctly installed and used only on the gas and electricity supply stated on the rating plate.
- \* The appliance has been used for normal domestic purpose only, and in accordance with the manufacturer's instructions.
- \* The appliance has not been serviced, maintained, repaired, taken apart or tampered with by any person not authorised by us.
- \* All service work under this guarantee must be undertaken by a Zanussi Service Centre.
- \* Any appliance or defective part replaced shall become the Company's property.
- \* This guarantee is in addition to your statutory and other legal rights.

Home visits are made between **8.30am and 5.30pm** Monday to Friday. Visits may be available outside these hours, in which case a **premium** will be charged.

### Exclusions

#### This guarantee does not cover:

- \* Damage or calls resulting from transportation, improper use or neglect, the replacement of any light bulbs or removable parts of glass or plastic.
- \* Costs incurred for calls to put right an appliance which is improperly installed or calls to appliance outside European Community (EC) or European Free Trade Area.

- \* Appliances found to be in use within a commercial or similar environment, plus those which are the subject to rental agreements.
- \* Products of Zanussi manufacture which are not marketed by Zanussi.

### European Guarantee

If you should move to another country within Europe then your guarantee moves with you to your new home subject to the following qualifications:

- \* The guarantee starts from the date you first purchased your product.
- \* The guarantee is for the same period and to the same extent for labour and parts as exist in the new country of use for this brand or range of products.
- \* This guarantee relates to you and cannot be transferred to another user.
- \* Your new home is within the European Community (EC) or European Free Trade Area.
- \* The product is installed and used in accordance with our instructions and is only used domestically, i.e. a normal household
- \* The product is installed taking into account regulations in your new country.

Before you move, please contact your nearest Customer Care centre, listed below, to give them details of your new home. They will then ensure that the local Service Organisation is aware of your move and able to look after you and your appliances.

|         |           |                       |
|---------|-----------|-----------------------|
| France  | Senlis    | +33 (0) 3 44 62 29 29 |
| Germany | Nürnberg  | +49 (0) 800 234 7378  |
| Italy   | Pordenone | +39 (0) 0434 39 4700  |
| Sweden  | Stockholm | +46 (0) 8 672 53 90   |
| UK      | Slough    | +44 (0) 1753 219897   |



# Instructions for the Installer

## Technical Data

Appliance Class 2 sub class 1 and Class 1

**APPLIANCE CATEGORY:** II 2H3+

**APPLIANCE GAS SUPPLY:** Natural Gas G20 20mbar

## Hob

|                                |         |
|--------------------------------|---------|
| Rear left burner (semi-rapid)  | 2,000 W |
| Front left burner (rapid)      | 3,000 W |
| Rear right burner (semi-rapid) | 2,000 W |
| Front right burner (auxiliary) | 1,000 W |

## Dimensions

|               |            |
|---------------|------------|
| Height        | 900 mm     |
| Depth         | 600 mm     |
| Width         | 600 mm     |
| Oven Capacity | 1.7 Cu. ft |

## Oven

|                        |                |
|------------------------|----------------|
| Electric Grill         | 1,830 W        |
| Gas Oven burner        | 2,700 W        |
| Oven light             | 15 W           |
| <b>Total Rating</b>    | <b>1,845 W</b> |
| Supply voltage (50 Hz) | 230-240 V      |

| TYPE OF GAS              | CHARACTERISTICS  | BURNER                                | RAPID (large) |         | SEMI-RAPID (medium) |         | AUXILIARY (small) |         | OVEN  |         |
|--------------------------|--|---------------------------------------|---------------|---------|---------------------|---------|-------------------|---------|-------|---------|
|                          |  | POSITION                              | MAX           | MIN     | MAX                 | MIN     | MAX               | MIN     | MAX   | MIN     |
| NATURAL GAS<br>20 mbar   | VALUE =<br>37.78 MJ/m <sup>3</sup><br>Ws - 50.7 MJ/ m <sup>3</sup> | NOMINAL THERMAL POWER (kW)            | 3.0           | 0.65    | 2.0                 | 0.45    | 1.0               | 0.33    | 2.7   | 1.1     |
|                          |  | NOMINAL FLOW RATE (m <sup>3</sup> /h) | 0.286         | 0.057   | 0.190               | 0.038   | 0.095             | 0.028   | 0.257 | 0.105   |
|                          |  | NOZZLE REFERENCE 1/100 mm             | 119           | Adjust. | 96                  | Adjust. | 70                | Adjust. | 114   | Adjust. |
| LPG GAS<br>28-30/37 mbar | VALUE =<br>49.92 MJ/Kg   | NOMINAL THERMAL POWER (kW)            | 2.8           | 0.65    | 2.0                 | 0.45    | 1.0               | 0.33    | 2.7   | 1.1     |
|                          |  | NOMINAL FLOW RATE (g/h)               | 202           | 43.5    | 144                 | 29      | 72                | 21.5    | 195   | 79      |
|                          |  | NOZZLE REFERENCE 1/100 mm             | 86            | 40      | 71                  | 32      | 50                | 28      | 83    | 55      |

# Important Safety Requirements

This appliance must be installed in accordance with the Gas Safety (Installation and Use) Regulations (current addition) and the I.E.E. Wiring Regulations. Detailed recommendations are contained in the following British Standard Codes of Practice - B.S. 6172, B.S. 5440: Part 2 and B.S. 6891: Current Editions.

## Provision for Ventilation

The room containing the cooker should have an air supply in accordance with B.S. 5440: Part 2: Current Editions.

The following requirements for ventilation must be met.

The cooker should not be installed in a bed sitting room with a volume of less than 20m<sup>3</sup>, if it is installed in a room of volume less than 5m<sup>3</sup> an air vent of effective area of 110cm<sup>2</sup> is required; if it is installed in a room of volume between 5m<sup>3</sup> and 10m<sup>3</sup>, an air vent of effective area 50cm<sup>2</sup> is required, while if the volume exceeds 11m<sup>3</sup> no air vent is required. However, if the room has a door which opens directly to the outside, no air vent is required even when the volume is between 5m<sup>3</sup> and 11m<sup>3</sup>.

If there are other fuel burning appliances in the same room, B.S. 5440: Part. 2: Current Editions should be consulted to determine the requisite air vent requirements.

## Location of the appliance

This appliance must not be installed in a bed-sitting room of volume less than 20m<sup>3</sup> or in a bathroom, shower room or garage. It is essential that the appliance is positioned as stated below (see fig.1) i.e. shelves, wall cabinets and cooker hoods must be fitted a minimum of 787mm directly above the top of the hotplate and 400mm above the hotplate when fitted in line with the outside of the appliance. If the units are intended to be fitted adjacent to the appliance but less than 400mm above the hotplate, then a minimum space of 100mm must be maintained between the sides of the unit and the appliance (see fig.). Curtains must not be fitted immediately behind the appliance or within 150mm of the sides of the hotplate. If fitted next to or between two base units a minimum space of 1mm must be left between each unit and the side of the appliance. The levelling feet fitted to the appliance will achieve a nominal height to hotplate trims of 900mm +20mm.

L.P.G. cookers MUST NOT be installed below ground level, i.e. in a basement, or aboard any boat, yacht or other vessel.

# Installation

## 1. Positioning the Appliance (Fig. 1)

**Note A:** The appliance is designed to be flush fitted with 2mm clearance at each side to allow for it to be pulled forward for cleaning etc.

**Note B:** The hotplate side trims should be flush with the cabinets and must not be below. Adjustable levelling feet at the front and rear are provided on the base of the appliance. Adjustment is obtained by rotating in or out, the feet at the front or rear of the appliance from the underside of the appliance, with the drawer removed.

A spirit level should be placed on a cake tray on one of the shelves to confirm that the appliance is correctly levelled.

The levelling feet fitted to the appliance will achieve a height to hotplate trims of 900mm-0 + 20mm.

**Note C:** If the appliance is fitted next to a side wall or cabinets above height of the hotplate trims, then a gap of 115 mm is required.

Curtains must not be fitted immediately behind the cooker or within 115 mm of the sides of the cooker.

**Note D:** Any wall cabinet or extractor must not be lower than 780mm above hotplate level.

**Note E:** Wall cabinets may be fitted in line with the sides of the base units, providing that the lower edge of the wall cabinet is a minimum of 420mm above the worktop.

## Positioning the Cooker

Caution:

Some soft or badly fitted floor coverings can be damaged when the cooker is moved across their surface for cleaning. It is advisable to ensure that the floor covering in the area below the cooker is either securely fixed so as not to ruck up when the cooker is moved or, if preferred, removed.

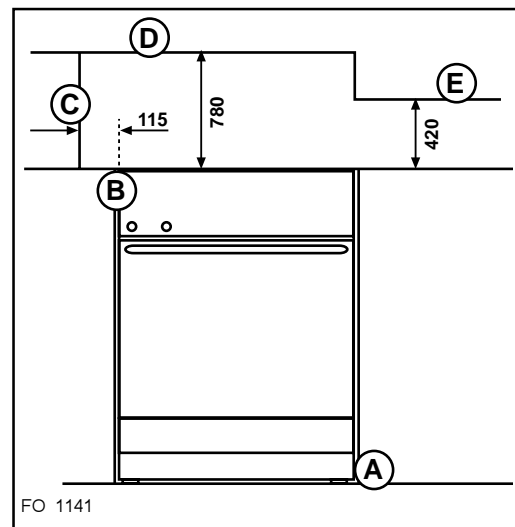
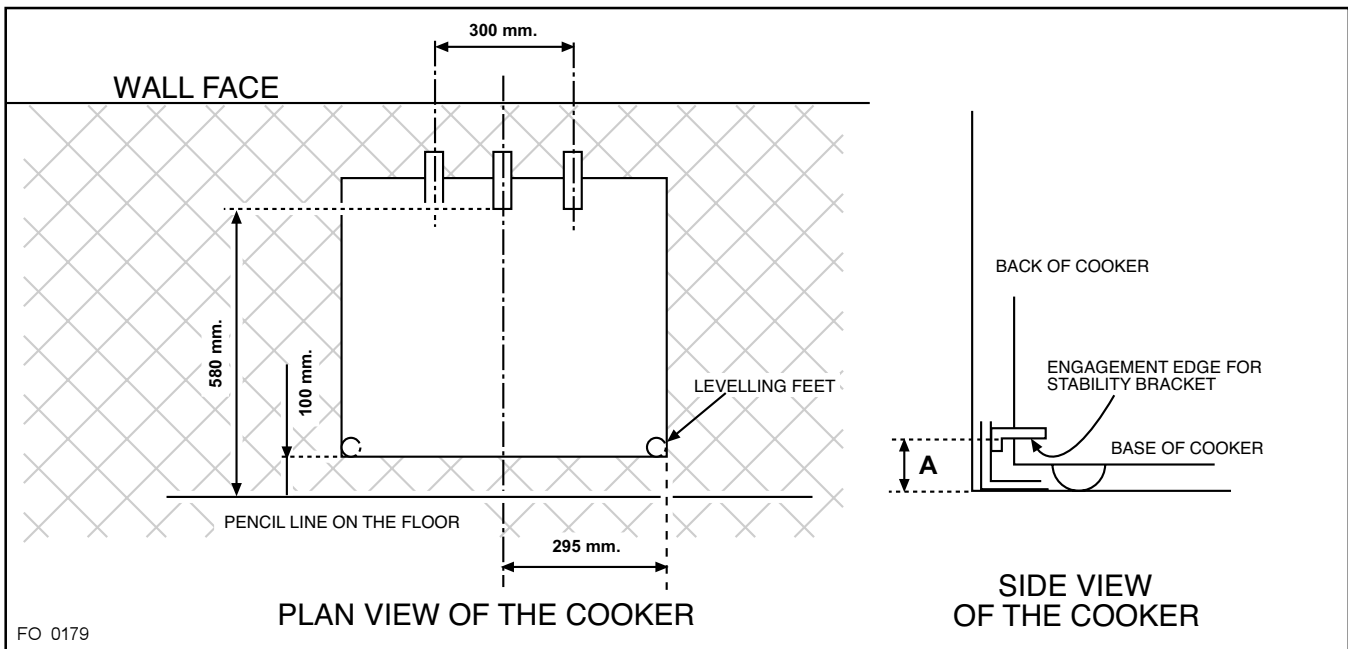


Fig. 1

The appliance must be installed in accordance to the type X (standard EN 60335-2-6).

Therefore the appliance can not be installed beside furniture higher than the cooker worktop.

This cooker must only be installed by qualified personnel, according to the manufacturer's instructions and to the relevant British Standards.



FO 0179

Fig. 2

## Fitting the Stability Bracket (Not supplied)

If the cooker has to be installed with a flexible supply pipe, it is necessary that a stability device is fitted. (See Safety Requirements: Page 22).

If a stability bracket is to be fitted by the installer, these instructions should be read in conjunction with the leaflet packed with the stability bracket.

Place the cooker in its intended position and level cooker.

Mark off 295mm (11 1/2") from the right hand side of the cooker as shown, this is the centre line of the bracket fixing.

Draw a line 100mm (4") from the front edge of the levelling feet (see Fig. 2) and remove cooker from its position. Mark off 480mm (19") back from this line on the centre line of the bracket to locate the front edge of the lower bracket.

Fix lower bracket (with two fixing holes) to the floor, then measure height from floor level to engagement edge on back of cooker, dimension 'A' of Fig. 2.

Assemble upper bracket to lower bracket so that underside of bracket is dimension 'A' + 3mm (1/8") above floor level. Re-position cooker and check that top bracket engages into cooker back to a depth of 75mm (3"), as shown in Fig. 2.

Should the stability bracket currently installed not allow the cooker to stand correctly, ask the installer to replace it with the correct type.

## Connecting to Gas

This cooker is designed to be installed with an appliance flexible connection. Connection is made to the RC 1/2 (1/2" B.S.P.) threaded entry pipe located just below the hotplate level on the rear right-hand side of the cooker. Check for gas soundness after connecting the gas supply.

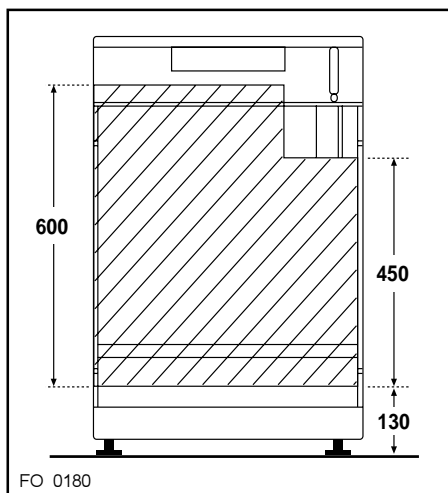
The gas bayonet connector must be fitted in the shaded area indicated in the diagram. Take into account that it must be possible to pull the cooker forward sufficiently. The hose must not get caught on the stability bracket.

### Note:

For certain types of gas bayonet connection used, it may not be possible for the appliance to be pushed fully back to the wall stops.

### Important:

Flexible tubing **MUST** comply with BS.669 Current Edition.



FO 0180

Fig. 3

# Electrical connections



Any electrical work required to install this cooker should be carried out by a qualified electrician or competent person, in accordance with the current regulations.



**THIS COOKER MUST BE EARTHED.**

The manufacturer declines any liability should these safety measures not be observed.

**This cooker is designed to be connected to a 230-240V 50Hz AC electrical supply.**


Before switching on, make sure the electricity supply voltage is the same as that indicated on the cooker rating plate. The rating plate is located on the oven frame.

The cooker is supplied with a 3 core flexible supply cord incorporating a 13amp plug fitted. In the event of having to change the fuse, a 13amp ASTA approved (BS 1362) fuse must be used.

Should the plug need to be replaced for any reason, the wires in the mains lead are coloured in accordance with the following code:

Green and Yellow - Earth  
Blue - Neutral  
Brown - Live



- Connect the green and yellow (earth) wire to the terminal in the plug which is marked with the letter 'E' or the earth symbol  or coloured green and yellow.
- Connect the blue (neutral) wire to the terminal in the plug which is marked with the letter 'N' or coloured black.
- Connect the brown (live) wire to the terminal in the plug which is marked with the letter 'L' or coloured red.

**NOTE:** The earth wire should be about 2 cm. longer than the live and neutral wires.

Upon completion there must be no cut, or stray strands of wire present and the cord clamp must be secure over the outer sheath.



**A cut off plug inserted into a 13 amp socket is a serious safety (shock) hazard. Ensure that the cut off plug is disposed of safely.**

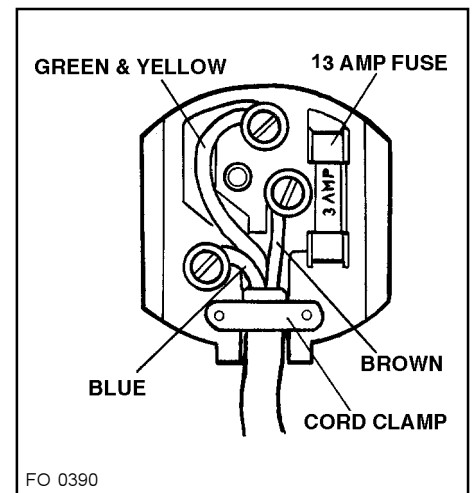
## Permanent Connection

In the case of a permanent connection, it is necessary that you install a double pole switch between the cooker and the electricity supply (mains), with a minimum gap of 3 mm. between the switch contacts and of a type suitable for the required load in compliance with the current electric regulations.

The switch must not break the yellow and green earth cable at any point.



**Ensure that the cooker supply cord does not come into contact with surfaces with temperatures higher than 50 deg. C.**



FO 0390

# Commissioning

When the hob has been fully installed it will be necessary to check the minimum flame setting. To do this, follow the procedure below.

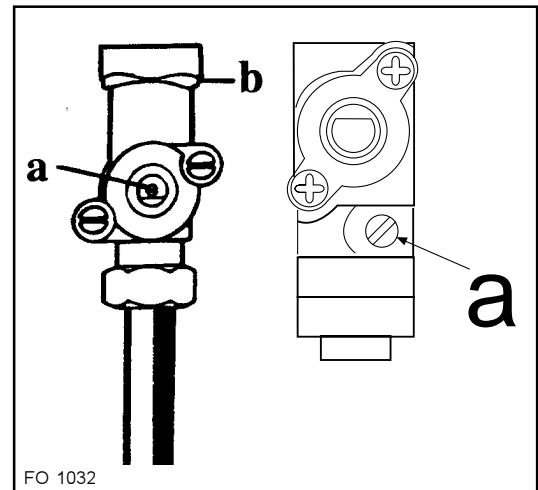
- Turn the gas tap to the MAX position and ignite.
- Set the gas tap to the MIN flame position then turn the control knob from MIN to MAX several times. If the flame is unstable or is extinguished follow the procedure below.

## Procedure:

- Re-ignite the burner and set to MIN.
- Remove the control knob.
- The adjustment screw is located down the centre of the gas tap control shaft or on the lower right hand side of the shaft (see diagram).
- To adjust, use a thin bladed screwdriver and turn the adjustment screw until the flame is steady and does not extinguish, when the knob is turned from MIN to MAX. Repeat this procedure for all burners.

## Pressure Testing

- Remove left hand pan support and front left burner cap and crown.
- Fit manometer tube over the injector.
- Turn on the burner gas supply and ignite another burner supply.
- The pressure reading should be nominally 20mbar and must be between 17 mbar and 25mbar.
- Turn off the burner supplies.



- a) Minimum adjustment screw
- b) Tap

# Conversion from Natural to LPG Gas

## IMPORTANT

**The replacement/conversion of the gas hob should only be undertaken by a CORGI registered engineer.**

It is important to note that this model is designed for use with natural gas but can be converted for use with butane or propane gas providing the correct injectors are fitted. The gas rate is adjusted to suit.

## Method

- Ensure that the gas taps are in the 'OFF' position
- Isolate the hob from the electricity supply
- Remove all pan supports, burner caps, rings, crowns and control knobs.
- With the aid of a 7mm box spanner the burner injectors can then be unscrewed and replaced by the appropriate LPG injectors.

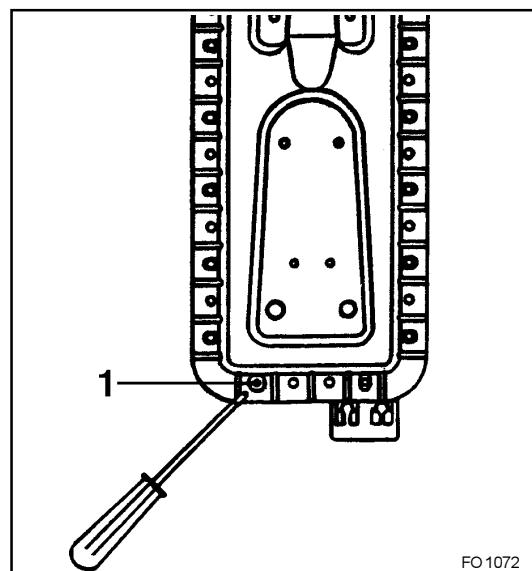
## TO ADJUST THE GAS RATE

With the aid of a thin bladed screwdriver undo the by pass screw about 1/4 of a turn (45°). Upon completion stick the replacement rating plate near the gas supply pipe.

## Replacement of gas oven burner nozzle

To replace the gas oven nozzle, follow this procedure:

- a) remove the bottom of the oven;
- b) undo screw 1 and take the oven burner out;
- c) with a socket spanner 7 unscrew and remove the nozzle, situated in the bottom of the oven, and replace it with the proper one (see Technical data);
- d) reassemble the burner following the same procedure backwards.

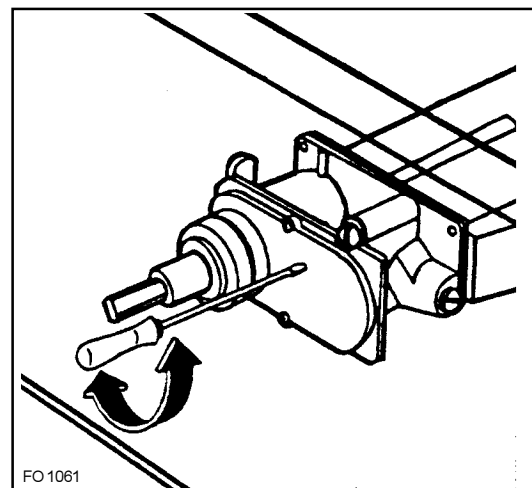


## Minimum level adjustment of gas oven burner

After setting the oven on maximum temperature with door closed for about 10 minutes, turn the knob on minimum. To reach the thermostat by-pass screw and adjust the minimum level, act as follows:

- take out the knobs;
- remove the front panel;
- in case of conversion from natural gas to LPG, tightly screw the by-pass screw of thermostat (see fig.);
- to convert from LPG to natural gas, unscrew the by-pass screw, until a regular small flame is reached.
- finally check that turning quickly the tap from maximum position to minimum position, the flame does not go out;
- reassemble the front panel and the knobs.

The oven burner does not need any primary air regulation.





## CUSTOMER CARE

### Zanussi

55-77 High Street  
Slough  
Berkshire, SL1 1DZ  
Tel: 08705 727727

© Electrolux Household Appliances Limited 2002

 **From the Electrolux Group.** *The world's No.1 choice.*

*The Electrolux Group is the world's largest producer of powered appliances for kitchen, cleaning and outdoor use. More than 55 million Electrolux Group products (such as refrigerators, cookers, washing machines, vacuum cleaners, chain saws and lawn mowers) are sold each year to a value of approx. USD 14 billion in more than 150 countries around the world.*